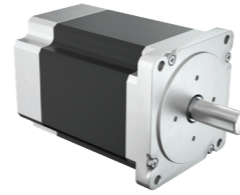


- » 86 mm square Nema 34
- » High grade Neodymium magnets
- » 1.8° step angle (+/-5%)
- » customized solutions available on demand

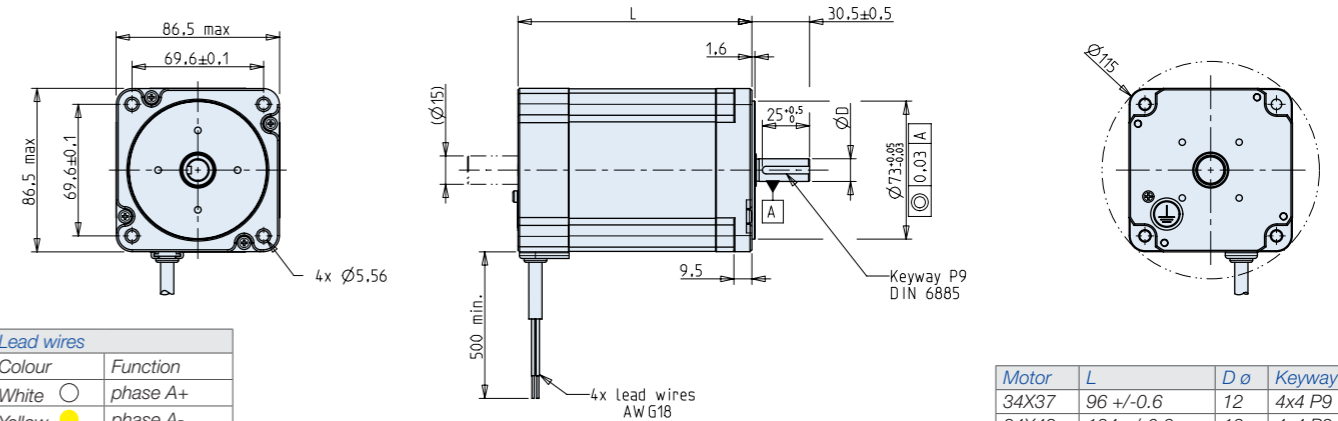
- » Operating temperatures -20°C to +40°C
- » Sinusoidal back-EMF optimized for microstep operation and hi holding torque
- » Insulation Class 130 (B)



Data		34x37	34x37	34x37	34x48	34x48	34x48	34x55	34x55	34x55	34x62
Rated phase current	A	3,00	5,50	8,00	3,00	5,50	8,00	3,00	5,50	8,00	8,00
Phase resistance	Ohm	1,24	0,42	0,2	1,5	0,465	0,215	1,7	0,55	0,29	0,33
Phase Inductance	mH	12	3,6	1,65	12,96	4	1,85	20	5,60	2,6	3,57
Holding torque Bipolar	Ncm	520	550	550	700	700	700	1000	1000	1000	1200
Detent torque	Ncm	22	27	24	31	33	32	32	33	34	51
Rotor inertia	gcm ²	3460	3460	3460	3870	3870	3870	4900	4900	4900	8269
Max voltage	VDC	160	160	160	160	160	160	160	160	160	160
Weight	Kg	3,00	3,00	3,00	4,00	4,00	4,00	4,60	4,60	4,60	5,40

all data measured with standard cables 500 mm at 25°C

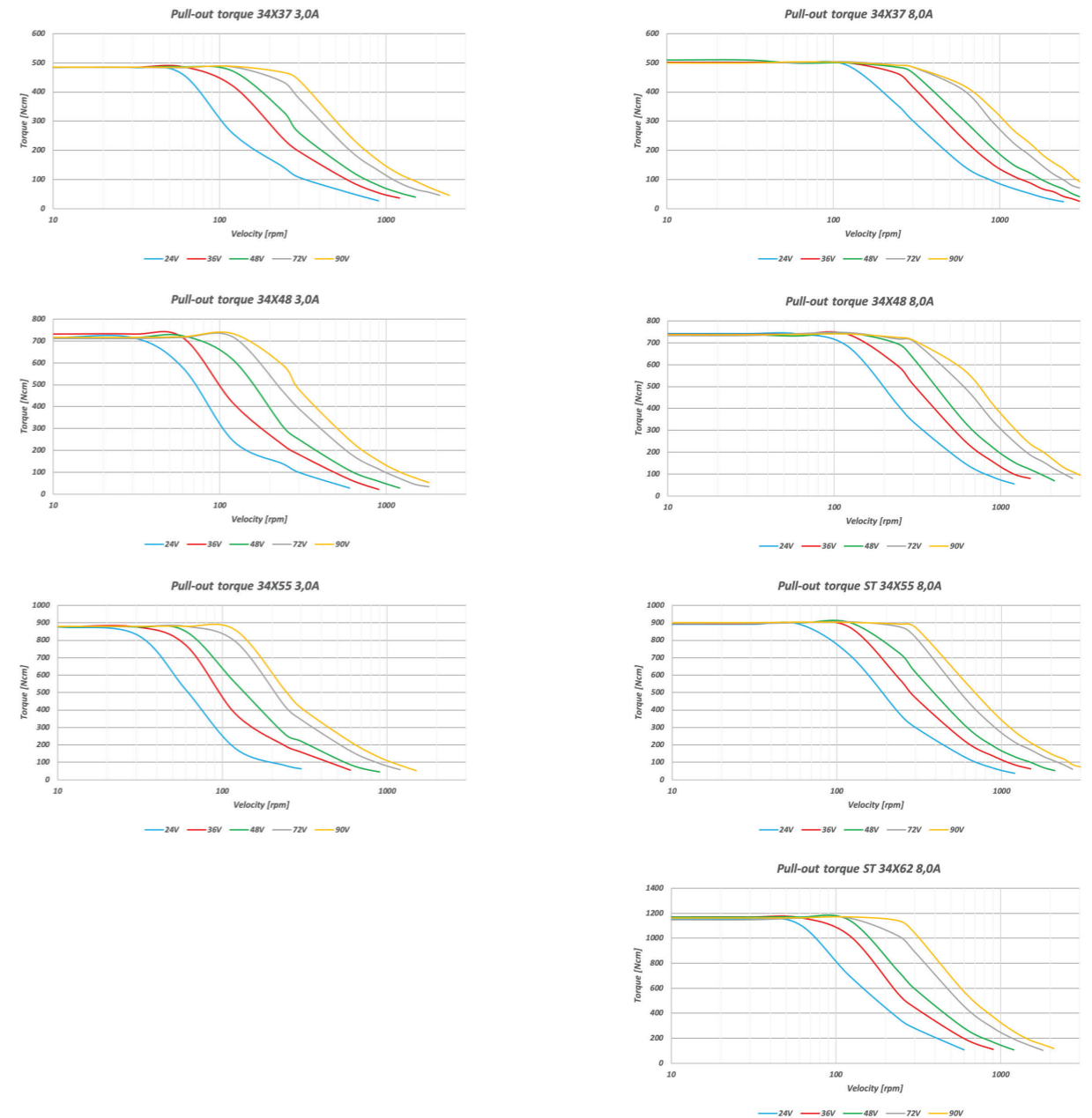
Dimensions in mm



Lead wires

Colour	Function
White ○	phase A+
Yellow ●	phase A-
Red ●	phase B+
Blue ●	phase B-

Characteristic diagram



Modular System

